

Date _____

Name _____ Tel: () _____

Address _____ PO Box _____ Fax: () _____

City _____ State _____ ZIP _____ E-mail: _____

Fabric _____ Color _____

Mainsail luff has? (check one)

Slugs _____

Bolt Rope _____

Batten Cars _____

Winches on Mast?

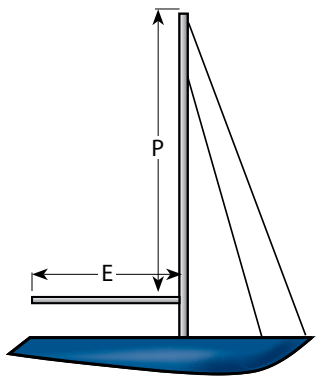
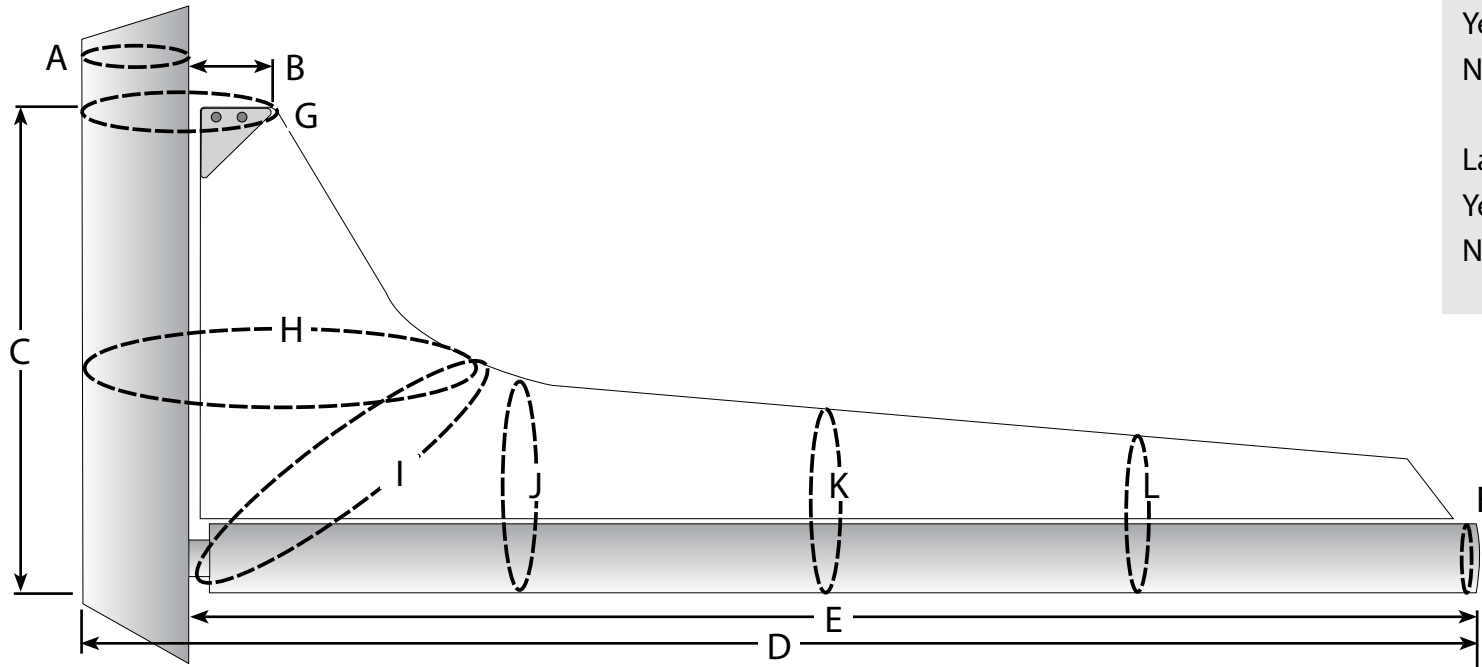
Yes _____

No _____

Lazy Jacks?

Yes _____

No _____



Mast and Boom:

- A _____ Mast circumference
- B _____ Back of mast to rear edge of headboard
- C _____ Bottom of boom to top of furled sail
- D _____ Front of mast to end of boom
- E _____ Back of mast to end of boom
- F _____ Boom circumference
- P _____ Luff length of main from top of mast to top of boom

Furled Sail Circumference:

- G _____ Headboard plus mast
- H _____
- I _____ 45% Angle
- J _____ 1/4 Back from mast
- K _____ 1/2 Back from mast
- L _____ 3/4 Back from mast